

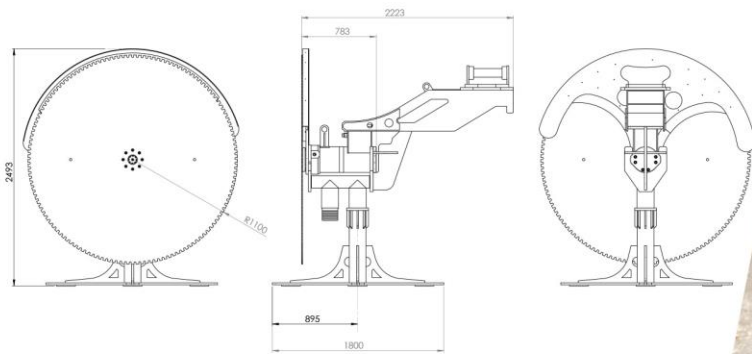


FLASHCUT 2200 RM®
HYDRAULIC DIAMOND ROCK SAW FOR EXCAVATORS

Suit 15 to 30 tonne

ROCK BLOCK EQUIPMENT PTY LTD
66 Molong Road
Orange, NSW 2800

Ph. 0451 451 639 | Tel. 02 8310 6384
Email: sales@austramac.com
Web: www.austramac.com



FLASHCUT 2200 RM. FOR ROCK AND CONCRETE

Operating weight	870 kg
Base machine weight	15 to 22 tonne
Blade diameter	2200 mm
Thickness of cutting	13 mm
Max. Depth of cutting	957 mm
Max. Hydraulic flow	210 l / min
Min. Hydraulic flow	125 l / min
Max. Hydraulic pressure	Relief valve
Ideal working pressure	210 bar
Min. Hydraulic pressure required	170 bar
Rotating stand	Standard
Warranty	12 Months

