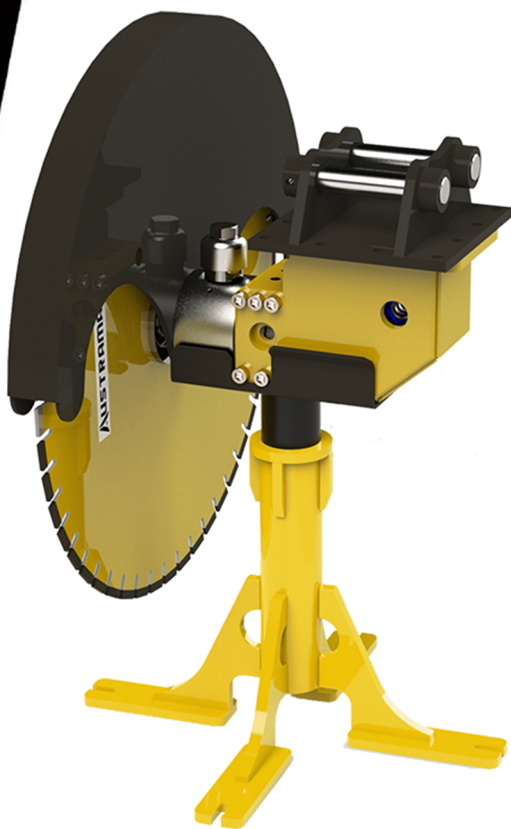




**AUSTRAMAC**  
earth

ROCK CUTTING SOLUTIONS



Suits 2 to 13 Tonne

# FLASHCUT 1000 P

WITH ROTATING GUARD

FLASHCUT Series

AUSTRAMAC GROUP  
infos@austramac.com  
www.austramac.com



Suits 2 to 13 Tonne

# FLASHCUT 1000 P

Operating Weight	135KG
Blade Diameter	1000mm
Thickness of cutting	10mm
Max. depth of cutting	420mm
Max. hydraulic flow	65 l/m
Ideal working pressure	220 BAR
Min. hydraulic pressure	170 BAR
Warranty	12 months

POWERED BY **BENT AXIS PISTON MOTOR**

